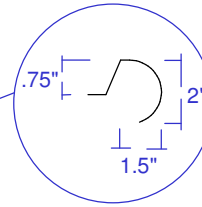
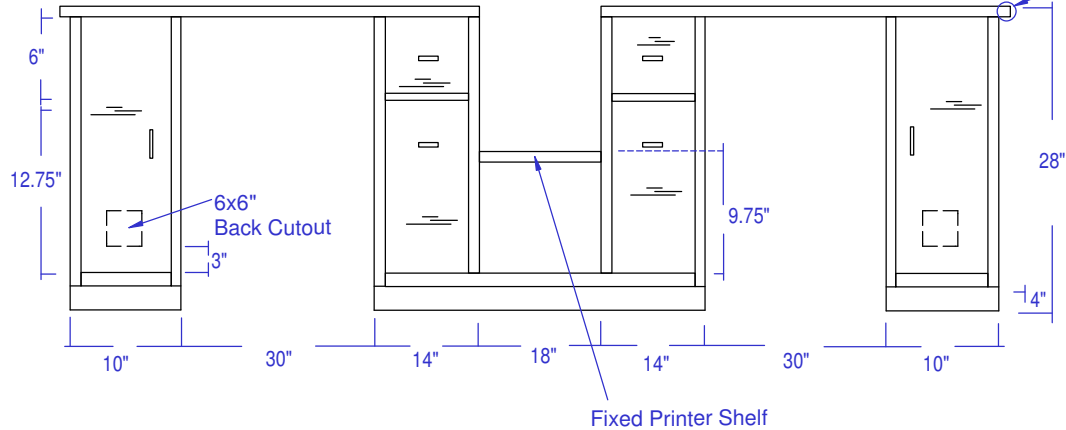
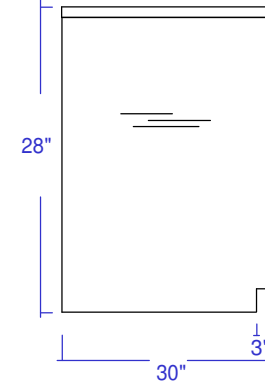




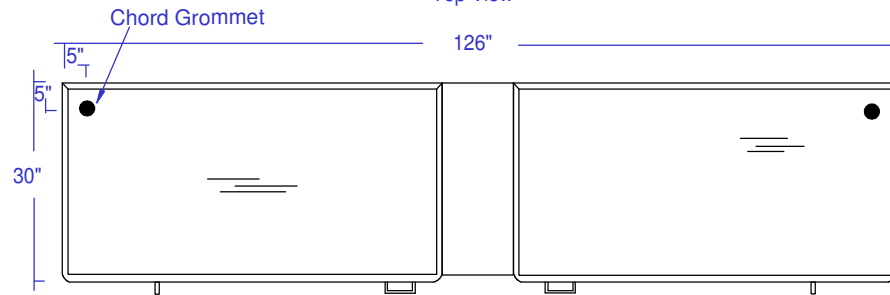
Front View



Left Side View



Top View



QTY.:
1

PLEASE RETURN A SIGNED COPY TO G2. EACH DRAWING IS TO BE SIGNED AND DATED INDICATING CUSTOMERS APPROVAL. G2 MUST OBTAIN APPROVAL ON DRAWINGS PRIOR TO THE FABRICATION OF ANY PRODUCTS. ALL AMENDMENTS MADE AFTER THE APPROVAL OF THESE DRAWINGS WILL BE AT THE EXPENSE OF THE CUSTOMER.

Approval _____
Date _____

STANDARDS:
ALL TIG WELDS CLEANED
ALL TOP EDGES SMOOTHED
TOP FLANGE CORNERS TIG WELDED
AND GROUND SMOOTH
TOP BEND RADIUS IS .125"
TUBING RADIUS IS .125"



PROPRIETARY
THIS DOCUMENT AND THE DATA DISCLOSED HEREIN OR HEREWITH IS NOT TO BE REPRODUCED, USED OR OTHERWISE DISCLOSED IN WHOLE OR IN PART TO ANYONE WITHOUT THE WRITTEN AUTHORIZATION FROM G2 AUTOMATED TECHNOLOGIES, LLC

A4

Approvals
Drawn By
J. Lamb
Approved By
N/A

Date
11/26/12

GAT-LAB-CAB-3012630-4-2-SS-ST

TITLE
SS LAB CABINET
2 Doors
4 Drawers
1 Fixed Shelf

Material:
SS 316 #3 SHEET
SS Hardware

SIZE
N/A

CAGE CODE

DWG NO
GAT-LAB-CAB-2618-OVERALL

SCALE
N.T.S.

SHEET

