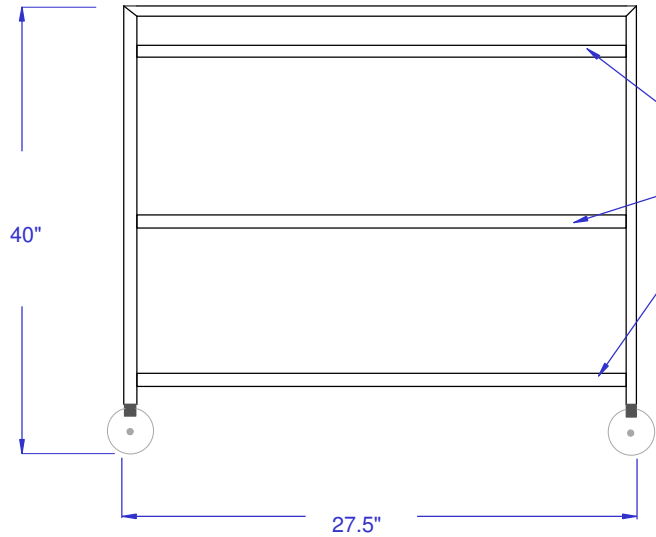
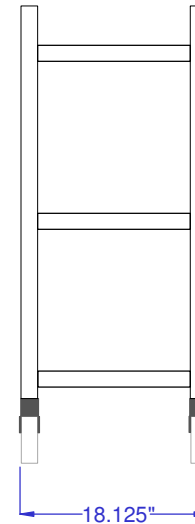




SIDE VIEW




Shelves have 1" Lip around All 4 sides



Approval: \_\_\_\_\_

Date: \_\_\_\_\_

	<b>Approvals</b> Drawn By J. Lamb Approved By N/A		<b>Date</b> 2/16/11		GAT-CASE-CRT-LW-27.518.12540-SS
	<b>TITLE</b> Lightweight Utility SS Case cart 3 Shelves 6" Casters			<b>Material:</b> SS 304 #3 16 Ga.	
<b>PROPRIETARY</b> <small>THIS DOCUMENT AND THE DATA DISCLOSED          HEREIN OR HERewith IS NOT TO BE          REPRODUCED, USED OR OTHERWISE DISCLOSED          IN WHOLE OR IN PART TO ANYONE WITHOUT          THE WRITTEN AUTHORIZATION FROM          G2 AUTOMATED TECHNOLOGIES, LLC</small>		<b>SIZE</b> N/A	<b>CAGE CODE</b>	<b>DWG NO</b> GAT-CASE-CRT-LW-27.518.12540-Overall	<b>REV</b>
<b>A4</b>		<b>SCALE</b> Not To Scale		<b>SHEET</b>	

