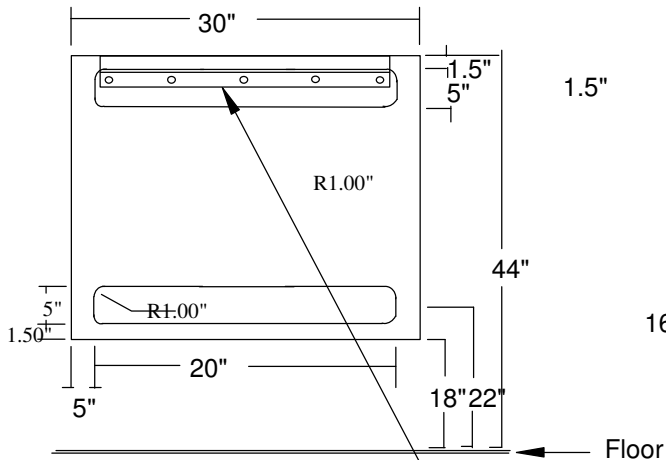
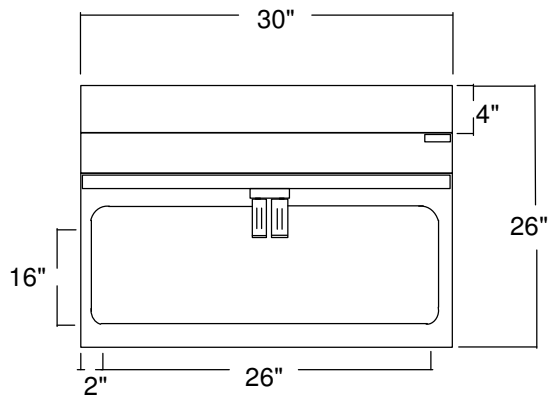




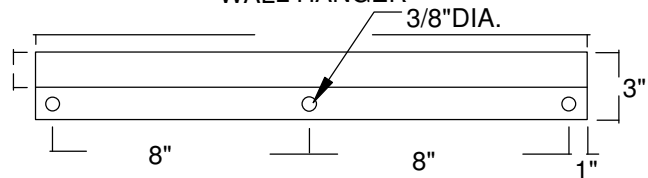
BACK VIEW



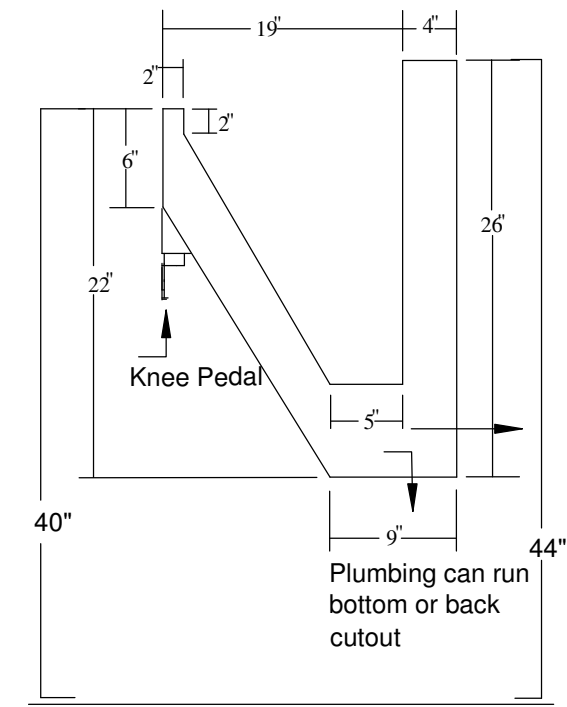
FRONT VIEW



WALL HANGER



SIDE VIEW



Approval _____

Date _____



PROPRIETARY
 THIS DOCUMENT AND THE DATA DISCLOSED
 HEREIN OR HEREWITH IS NOT TO BE
 REPRODUCED, USED OR OTHERWISE DISCLOSED
 IN WHOLE OR IN PART TO ANYONE WITHOUT
 THE WRITTEN AUTHORIZATION FROM
 G2 AUTOMATED TECHNOLOGIES, LLC

A4

Approvals		Date	
Drawn By J. Lamb		6/22	GAT-SURGI-KLEEN-1000-WM
Approved By N/A			
TITLE Single Bay SS Scrub Sink Wall Mounted Manual Knee operated			Material: SS 304 #3 16 Ga.
SIZE N/A	CAGE CODE	DWG NO GAT-SK-2081-Overall	REV
SCALE Not To Scale		SHEET	

