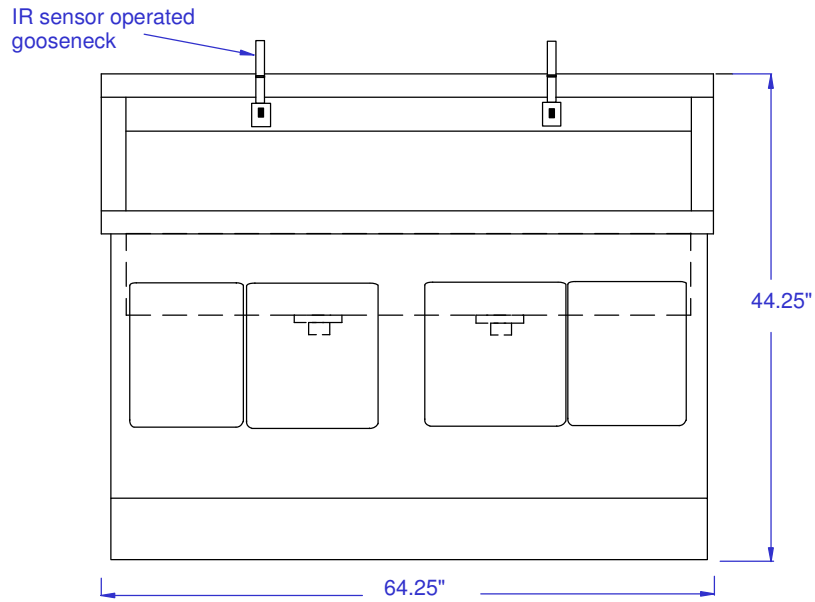
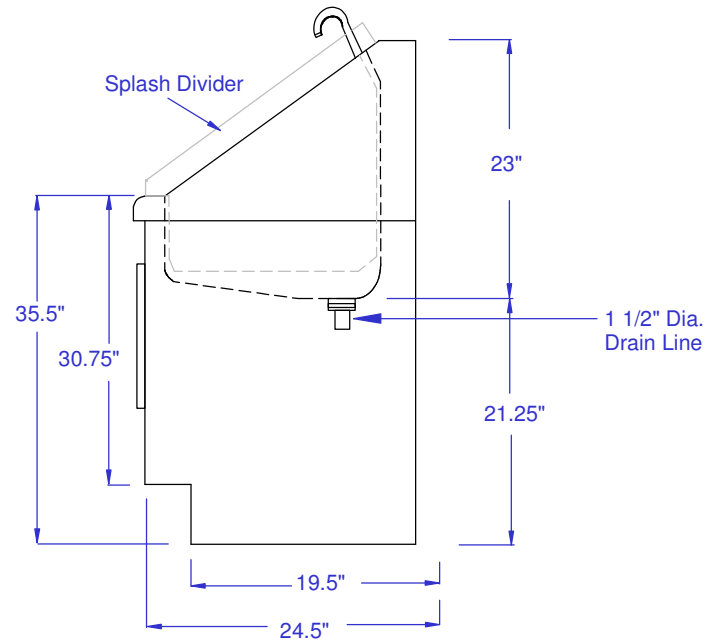




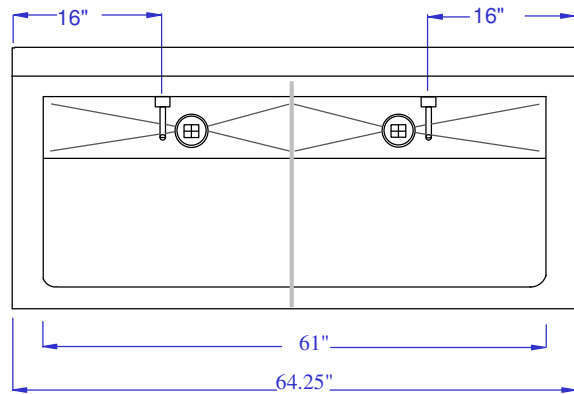
FRONT VIEW



SIDE VIEW



TOP VIEW



Approval \_\_\_\_\_

Date \_\_\_\_\_



**PROPRIETARY**  
 THIS DOCUMENT AND THE DATA DISCLOSED  
 HEREIN OR HERewith IS NOT TO BE  
 REPRODUCED, USED OR OTHERWISE DISCLOSED  
 IN WHOLE OR IN PART TO ANYONE WITHOUT  
 THE WRITTEN AUTHORIZATION FROM  
 G2 AUTOMATED TECHNOLOGIES, LLC

A4

<b>Approvals</b>		<b>Date</b>	
Drawn By J. Lamb		2/16/11	
Approved By N/A		SURGI-KLEEN-2000-FM	
<b>TITLE</b> Floor Mounted Double Scrub Sink w/IR Goosenecks		<b>Material:</b> SS 304 #3 16 Ga.	
<b>SIZE</b> N/A	<b>CAGE CODE</b>	<b>DWG NO</b> SK-2000-FM-Overall	<b>REV</b>
<b>SCALE</b>		<b>SHEET 1-0</b>	

