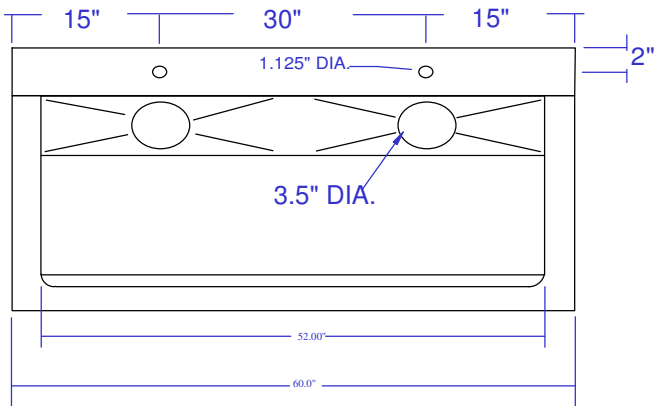
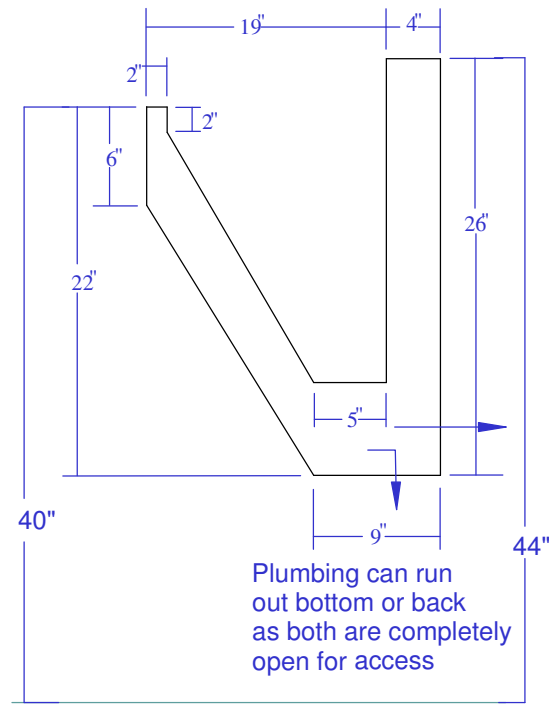




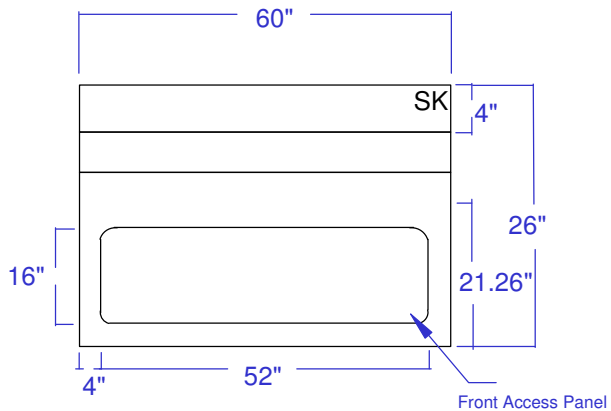
TOP VIEW



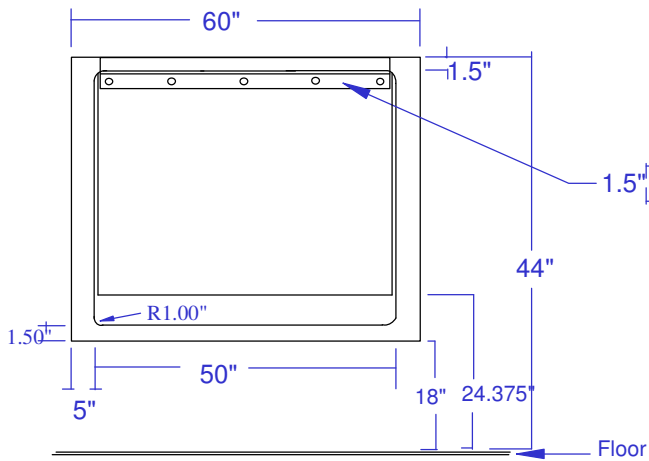
SIDE VIEW



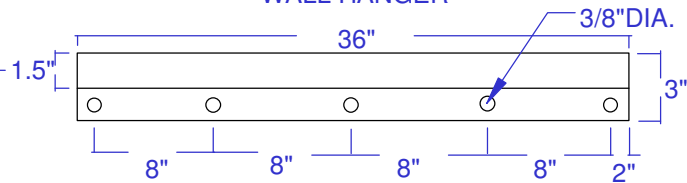
FRONT VIEW



BACK VIEW



WALL HANGER



Approval _____

Date _____



PROPRIETARY
 THIS DOCUMENT AND THE DATA DISCLOSED
 HEREIN OR HERewith IS NOT TO BE
 REPRODUCED, USED OR OTHERWISE DISCLOSED
 IN WHOLE OR IN PART TO ANYONE WITHOUT
 THE WRITTEN AUTHORIZATION FROM
 G2 AUTOMATED TECHNOLOGIES, LLC

A4

Approvals		Date		GAT-SURGI-KLEEN-2000-WM
Drawn By J. Lamb Approved By N/A		7/31/12		
TITLE Double Bay Scrub Sink Wall Mounted			Material: SS 304 #3 16 Ga.	
SIZE N/A	CAGE CODE	DWG NO GAT-SURGI-KLEEN-Overall	REV	
SCALE Not To Scale		SHEET		

